

Designed to LGA standards
Face to face dimension to DIN 3202-F6
Flanges and drilling to ISO 7005-2 (EN 1092-2: 1997, DIN 2501)

Use:

For water and sewage to max. 70°C.

Tests:

According to ISO 5208:

Seat: 1.1 x PN
 Body: 1.5 x PN

Low pressure test according to LGA-standards

Options:

Ball of polyurethane for special applications

Materials:

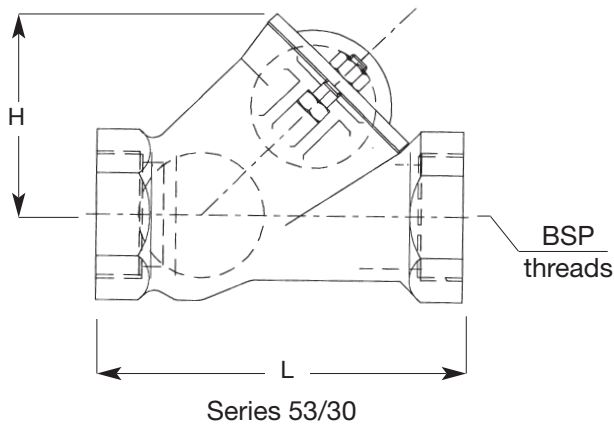
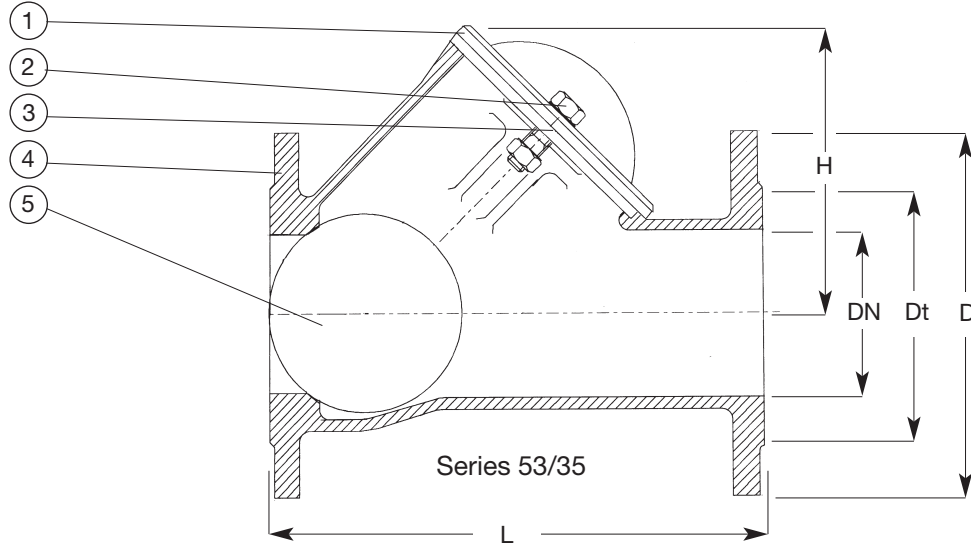
Body and cover	Ductile iron, GGG-40 to DIN 1693 (BS 2789)
Coating	Electrostatically applied epoxy resin to DIN 30677
Cover gasket	NBR O-ring
Ball	DN 32-100: Aluminium, NBR rubber lined DN 125-400: Grey cast iron, GG-25, NBR rubber lined
Bolts, nuts and washers	Stainless steel, A2



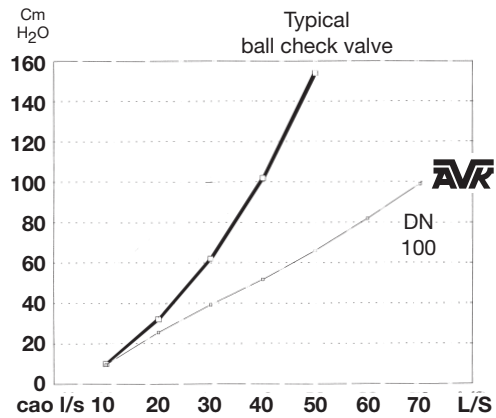
Designed to LGA standards
 Face to face dimension to DIN 3202-F6
 Flanges and drilling to ISO 7005-2 (EN 1092-2: 1997, DIN 2501)

Component list

- | | |
|--------------------|---------|
| 1. Cover | 4. Body |
| 2. Bolt/nut/washer | 5. Ball |
| 3. Gasket | |



The patented design reduces the pressure loss considerably



Ref. nos.	DN	L mm	BSP thread	Dt mm	D mm	H mm	D ball mm	Weight kilos
53-032-309007*	32	140	1 1/4"	-	-	83	48	2.0
53-040-309007*	40	140	1 1/2"	-	-	83	48	2.0
53-050-309007*	50	180	2"	-	-	101	60	3.0
53-050-351007	50	200	-	98	165	101	60	7.5
53-065-351007	65	230	-	118	185	148	95	12.0
53-080-351007	80	260	-	133	200	148	95	13.0
53-100-351007	100	300	-	159	220	182	120	18.0
53-125-351007	125	350	-	183	250	251	175	30.5
53-150-351007	150	400	-	209	285	251	175	37.5
53-200-350007	200	500	-	268	340	333	240	70.0
53-250-350007	250	600	-	319	400	406	300	128.0
53-300-350007	300	700	-	367	455	480	360	187.0
53-350-350007	350	800	-	427	505	571	420	300.0
53-400-350007	400	900	-	482	565	657	480	410.0

* With internal thread.